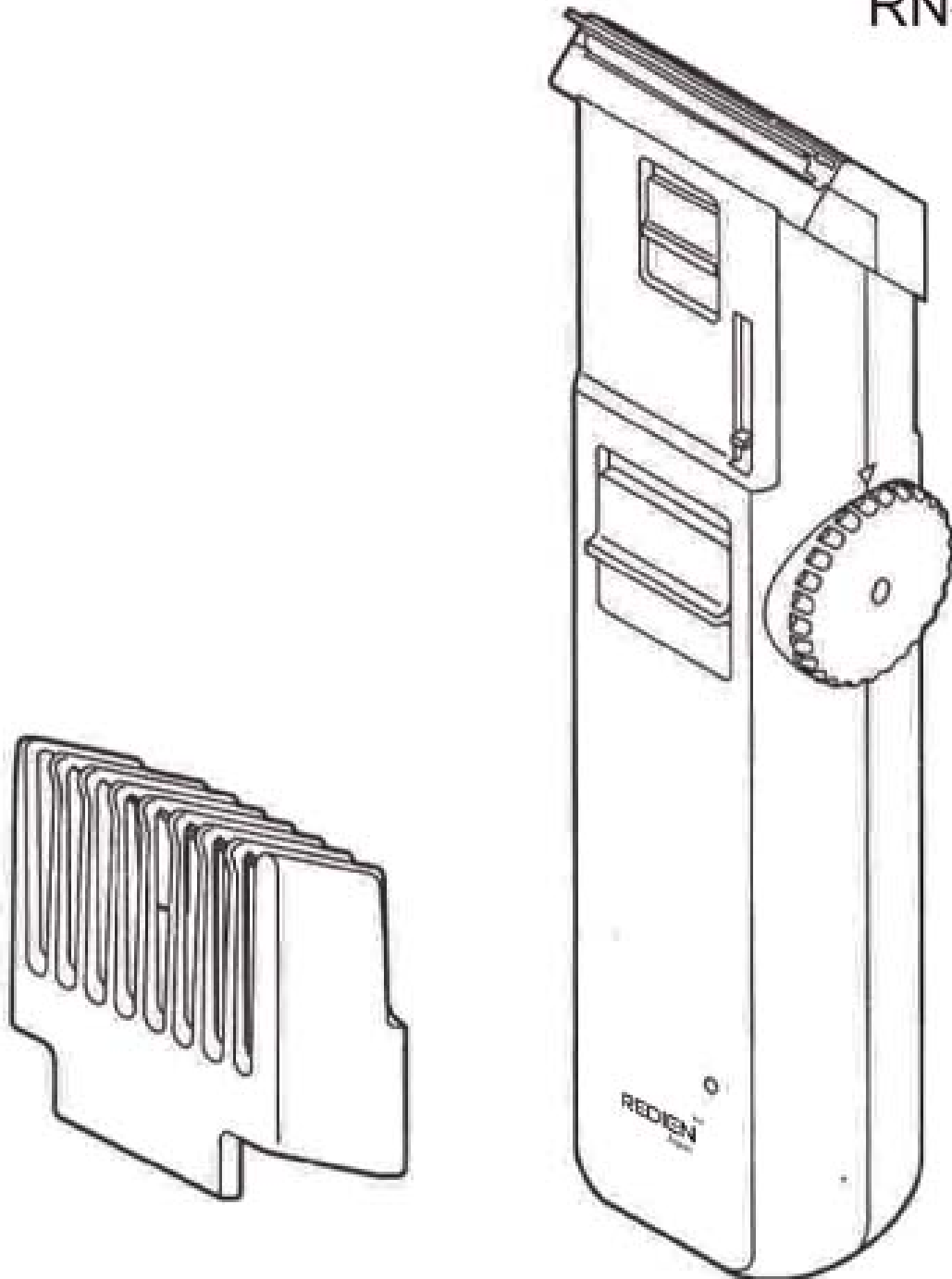




Japan

Operating Instructions
(Household) AC/Rechargeable Beard/Hair Trimmer
RN-8131K





Operating Instructions
(Household) AC/Rechargeable Beard/Hair Trimmer
RN-8131K

Contents

Safety precautions	4
Parts identification	10
Charging the trimmer	11
Using the comb attachment	12
Using the trimmer	13
Cleaning the trimmer	16
Troubleshooting	18
Frequently asked questions	19
Blade life	19
Battery life	19
Removing the built-in rechargeable battery ..	20
Specifications	20

Thank you for purchasing this Redien product.
Before operating this unit, please read these instructions
completely and save them for future use.

Safety precautions

To reduce the risk of injury, loss of life, electric shock, fire, and damage to property, always observe the following safety precautions.

Explanation of symbols

The following symbols are used to classify and describe the level of hazard, injury, and property damage caused when the denotation is disregarded and improper use is performed.



DANGER

Denotes a potential hazard that will result in serious injury or death.



WARNING

Denotes a potential hazard that could result in serious injury or death.



CAUTION

Denotes a hazard that could result in minor injury.

The following symbols are used to classify and describe the type of instructions to be observed.



This symbol is used to alert users to a specific operating procedure that must not be performed.



This symbol is used to alert users to a specific operating procedure that must be followed in order to operate the unit safely.



WARNING



This product has a built-in rechargeable battery. Do not throw into flame or heat.

- Doing so may cause fluid leak, overheating, or explosion.



Always unplug the power plug from a household outlet when cleaning.

- Failure to do so may cause electric shock or injury.



Always ensure the appliance is operated on an electric power source matched to the rated voltage indicated on the AC adaptor.

- Failure to do so may cause fire or electric shock.



Regularly clean the power plug to prevent dust from accumulating.

- Failure to do so may cause fire due to insulation failure caused by humidity.

Disconnect the power plug and wipe with a dry cloth.



Fully insert the power plug.

- Failure to do so may cause fire or electric shock.



If the oil is consumed accidentally, do not induce vomiting, drink a large amount of water, and contact a physician.

If the oil comes into contact with eyes, immediately wash thoroughly with running water, and contact a physician.

- Failure to do so may result in physical problems.



This appliance is not intended for use by persons (including children) with reduced physical, sensory or mental capabilities, or lack of experience and knowledge, unless they have been given supervision or instruction concerning use of the appliance by a person responsible for their safety. Children should be supervised to ensure that they do not play with the appliance.

- Failure to do so may cause an accident or injury.



The supply cord cannot be replaced. If the cord is damaged, the AC adaptor should be scrapped.

- Failure to do so may cause an accident or injury.



WARNING

Immediately stop using and remove the power plug if there is an abnormality or malfunction.

- Failure to do so may cause fire, electric shock, or injury.

<Abnormality or malfunction cases>



• **The main unit or AC adaptor is deformed or abnormally hot.**

• **The main unit or AC adaptor smells of burning.**

• **There is abnormal sound during use or charging of the main unit or AC adaptor.**

- Immediately request inspection or repair at an authorized service center.



Do not connect or disconnect the power plug to a household outlet with a wet hand.

- Doing so may cause electric shock or injury.



Do not immerse the AC adaptor in water or wash it with water.

- Doing so may cause electric shock or fire due to a short circuit.

Never use the appliance and the AC adaptor in a bathroom or a shower room.

Keep the appliance dry.



The symbol on the left means "Do not wash the product with water".

- Doing so may cause electric shock or fire due to a short circuit.



Never disassemble except when disposing of the product.

- Doing so may cause fire, electric shock, or injury.



Do not use anything other than the supplied AC adaptor. Also, do not charge any other product with the supplied AC adaptor.

- Doing so may cause burn or fire due to a short circuit.



Never use the appliance if the AC adaptor is damaged or if the power plug fits loosely in a household outlet.

- Doing so may cause electric shock or fire due to a short circuit.



WARNING

Do not modify or repair.



- Doing so may cause fire, electric shock, or injury.
Contact an authorized service center for repair (battery change, etc.).

Do not store within the reach of children or infants. Do not let them use it.



- Putting the blade and/or the cleaning brush in the mouth or drinking the oil may cause accidents and injury.

Do not use in a way exceeding the rating of the household outlet or the wiring.



- Exceeding the rating by connecting too many plugs to one household outlet may cause fire due to overheating.

Do not damage or modify, or forcefully bend, pull, or twist the cord.



- Also, do not place anything heavy on or pinch the cord.**
- Doing so may cause electric shock or fire due to a short circuit



CAUTION

Disconnect the power plug from the household outlet when not charging.



- Failure to do so may cause electric shock or fire due to electrical leakage resulting from insulation deterioration.

Check that the blades are not damaged or deformed before use.



- Failure to do so may cause skin injury.

Disconnect the power plug by holding onto it instead of the cord.



- Failure to do so may cause electric shock or fire due to a short circuit.

Do not allow pins or trash to adhere to the power plug.



- Doing so may cause electric shock or fire due to a short circuit



CAUTION



Do not wrap the cord around the AC adaptor when storing.
- Doing so may cause the wire in the cord to break with the load, and may cause fire due to a short circuit.



Do not use the trimmer for any purpose other than trimming.
- Doing so may cause skin injury.



Do not directly apply the blades on ears or rough skin (such as swellings, injuries or blemishes).
- Doing so may cause injury to the ears or rough skin.



Do not press the blade strongly against your skin or lips. Also, do not directly apply the blade on pimples or wounds.
- Doing so may cause skin injury.



Do not drop or subject to shock.
- Doing so may cause injury.

► Disposal of the rechargeable battery



DANGER

The rechargeable battery is exclusively for use with this trimmer. Do not use the battery with other products. Do not charge the battery after it has been removed from the product.



- Do not throw into fire or apply heat.
 - Do not solder, disassemble or modify the trimmer.
 - Do not let the positive and negative terminals of the battery get in contact with each other through metallic objects.
 - Do not carry or store the battery together with metallic jewelry such as necklaces and hairpins.
 - Never peel off the tube.
- Doing so may cause fluid leak, overheating, or explosion.
-



WARNING

After removing the rechargeable battery, do not keep it within the reach of children and infants.



- The battery will harm the body if accidentally swallowed. If this happens, consult a physician immediately.

If the battery fluid leaks out, take the following procedures. Do not touch the battery with your bare hands.



- The battery fluid may cause blindness if it comes in contact with your eyes. Do not rub your eyes. Wash immediately with clean water and consult a physician.
- The battery fluid may cause inflammation or injury if it comes in contact with the skin or clothes. Wash it off thoroughly with clean water and consult a physician.

► Notes

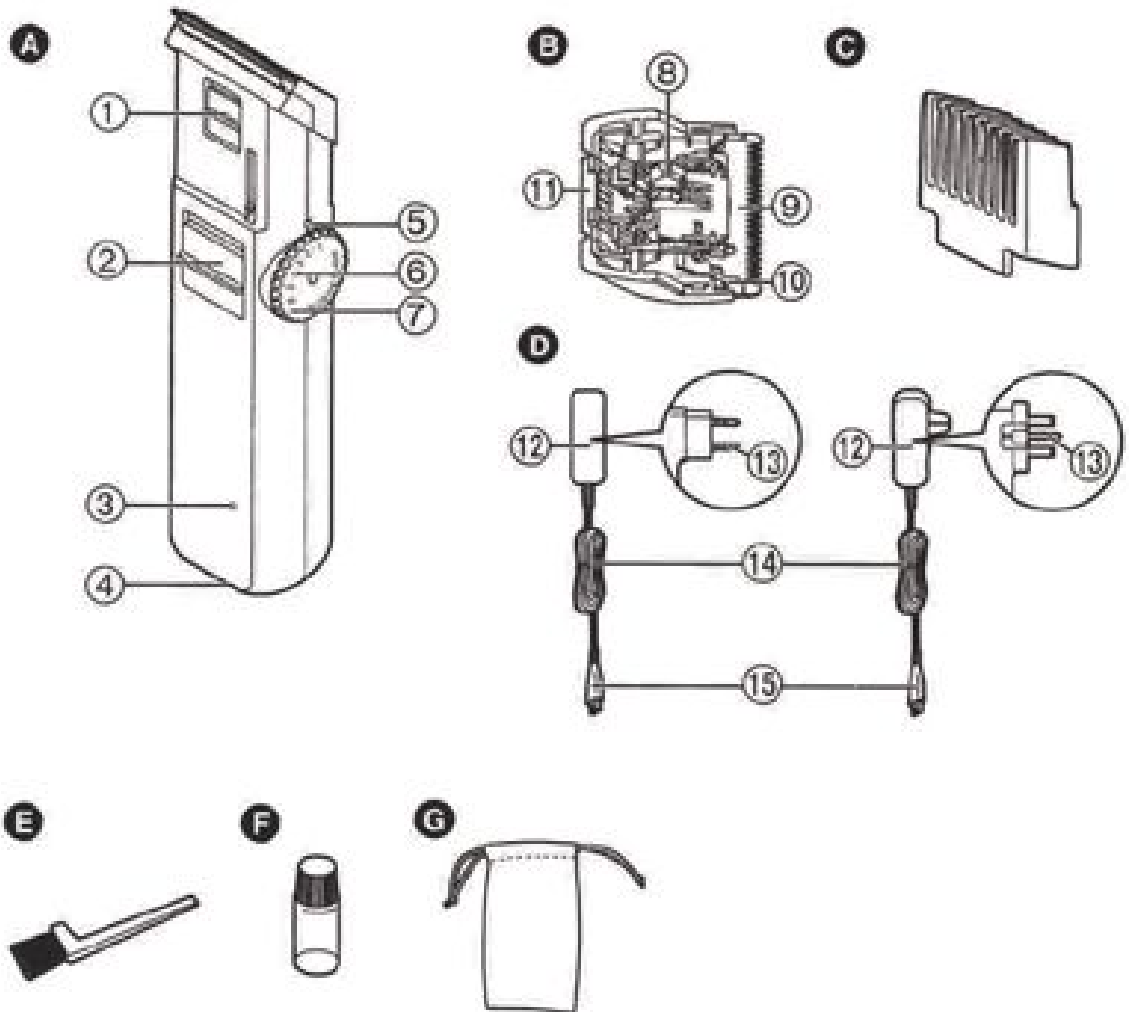
- The appliance should not be used on animals.
- Before and after each use, apply oil at the places marked with arrows. (See page 17.)
- The trimmer may become warm during use and charging. However, this is not a malfunction.
- Clean the housing only with a soft cloth slightly dampened with tap water or soapy tap water. Do not use thinner, benzine, alcohol or other chemicals.
- Store the appliance in a place with low humidity after use.

PLEASE ALSO NOTE THE FOLLOWING

by persons (including children) will

Parts identification

English



A Main body

- ① Blade release button
- ② Power switch [0-charge/1]
- ③ Charge indicator lamp
- ④ Appliance socket
- ⑤ Indication mark
- ⑥ Trimming height indicator
- ⑦ Dial (Height adjustment control)

B Blade block

- ⑧ Cleaning lever
- ⑨ Moving blade
- ⑩ Stationary blade
- ⑪ Mounting hook

C Comb attachment (2 mm to 18 mm)

D AC adaptor

(The shape of the AC adaptor differs depending on the area.)

- ⑫ Adaptor
- ⑬ Power plug
- ⑭ Cord
- ⑮ Appliance plug

Accessories

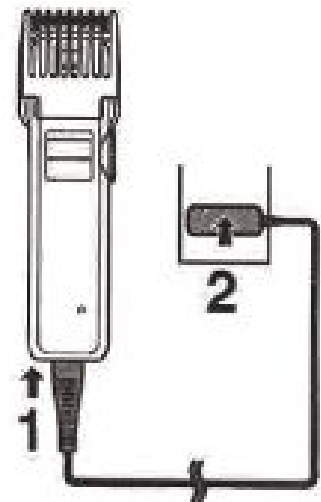
- E Cleaning brush
- F Oil
- G Travel pouch

Charging the trimmer

Perform the following steps to charge the trimmer if it seems to lose the speed.

1 Insert the appliance plug into the trimmer.

- Turn the trimmer off before inserting.
- Wipe off any water droplets on the appliance socket.



2 Plug in the adaptor into a household outlet.

- Charging is completed after approx. 8 hours.
- The charge indicator lamp glows red and stays on until the AC adaptor is removed from a household outlet.

- When charging the trimmer for the first time or when it has not been in use for more than 6 months, the charge indicator lamp may not glow for a few minutes, or the operating time may shorten. Please charge it for more than 16 hours.

3 Disconnect the adaptor after charging is completed.

- To keep charging the battery will not affect battery performance.
- Recommended ambient temperature for charging is 0 – 35 °C. The battery may not charge properly or not at all under extreme low or high temperatures.
- A full charge supplies enough power for approximately 40 minutes of use.

AC operation

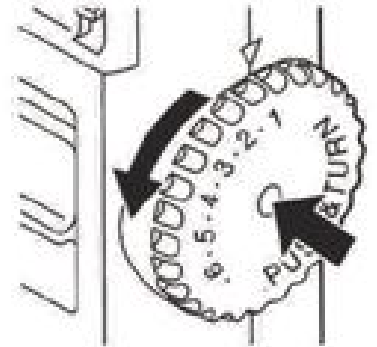
You can use the trimmer while charging, even if the battery capacity is low. If the trimmer does not work, continue charging it for approx. 1 minute.

Using the comb attachment

English

- Make sure that the trimmer is turned off.

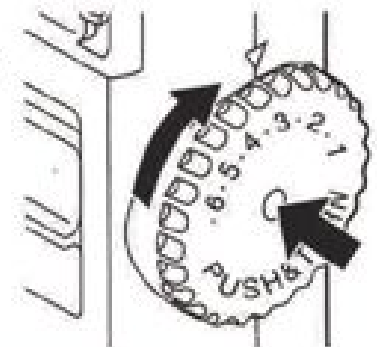
1 Push and turn the dial to the “1” position.



2 Mount the comb attachment to the main body until it clicks.



3 Push and turn the dial to align the indication mark and the desired indicator.



Trimming height (mm) (approx.)	2	3	4.5	6	7.5	9	10.5
Indicator	1	•	2	•	3	•	4

Trimming height (mm) (approx.)	12	13.5	15	16.5	18
Indicator	•	5	•	6	•

- It can also be used without the comb attachment.
(Trimming height: approx. 0.5 mm)
- Actual hair length will be a little longer than the height you set.

Using the trimmer

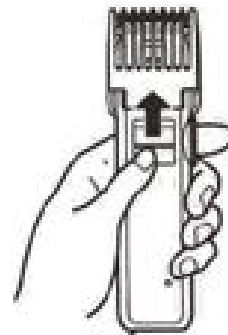
- Make sure there is no damage to the blade.
- We recommend using the trimmer in an ambient temperature range of 0 – 35 °C. If used outside this range, the appliance may stop operating.

EN 15

► Trimming with the comb attachment

1 Mount the comb attachment and adjust the dial.
(See page 12.)

2 Slide the power switch to the “1” position to turn on the trimmer.



3 Hold the trimmer with the power switch facing upward, and cut the beard by moving the trimmer back against the flow of the beard.

- Hair trimmings may collect inside the attachment when a large volume of beard is cut, so discard hair trimmings after each use.

